

JA

SUBMERSIBLE JET AERATORS

JA 50HZ

FEATURES

- High oxygen transfer rate
- Easy reduction in BOD level from wastewater
- Mixing and stirring applications for uniform MLSS
- Fine bubbles convention

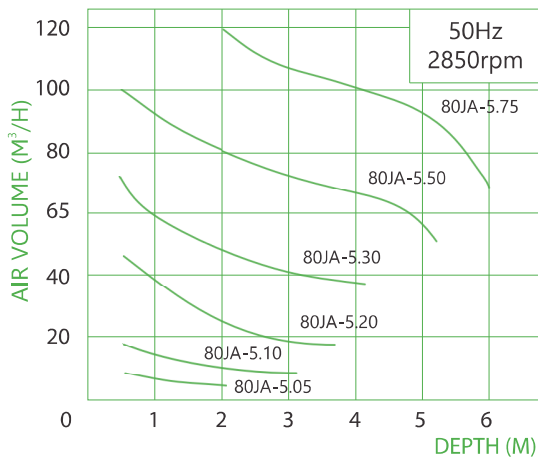
APPLICATIONS

- The wastewater treatment aeration and agitation
- BOD reduction

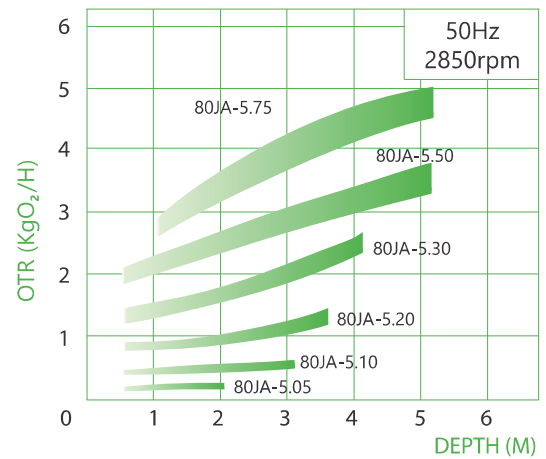


80JA-5.20

PERFORMANCE CURVE

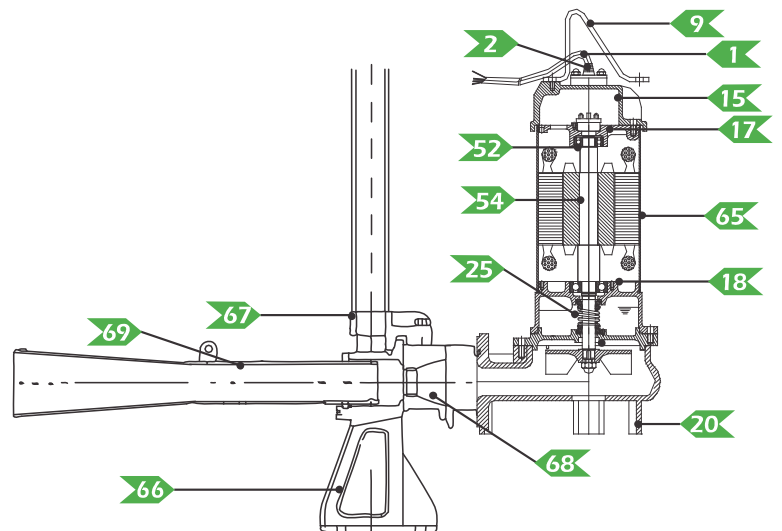


PERFORMANCE CURVE



PARTS AND MATERIAL LIST

No	Part	Material
1	Cable	H07
2	Cable Hood	NBR
9	Handle	SS41
15	Motor Cover	C.I.
17	Bracket	C.I.
18	Oil Chamber	C.I.
20	Pump Casing	C.I.
25	Double Mech. Seal	Upper : CA/CE Lower : SIC/SIC
52	Bearing	NTN
54	Shaft	SS 410
65	Motor Housing	SS 304
66	Anti-Inlet Casing	C.I.
67	Guide Hook	C.I.
68	Diffuser	C.I.
69	Discharge Pipe	C.I.

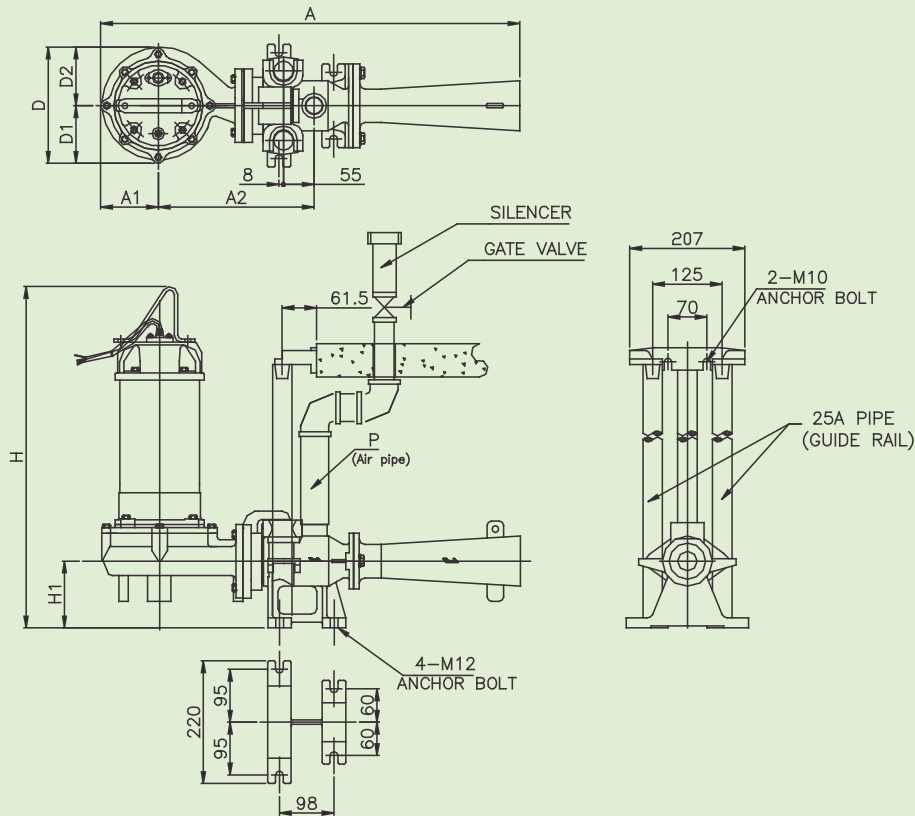


SPECIFICATIONS

Type	Output		Rated			Aeration Tank		
	HP	Kw	Air (M ³ /hr)	OTR (Kg-O ₂)	HR (M)	L (M)	W (M)	H (M)
80JA-5.05	0.5	0.37	5	0.12~0.23	1.5	2	1.8	2
80JA-5.10	1	0.75	10	0.3~0.5	2	3	2.5	3
80JA-5.20	2	1.5	22	0.9~1.1	2.5	4	3.5	3.5
80JA-5.30	3	2.2	40	1.9~2.2	3	5	4.5	4
80JA-5.50	5	3.7	70	2.8~3.3	3.5	6	5	5
80JA-5.75	7.5	5.5	100	4.0~4.8	4	7	6	6

* Weight of pump (weight of pump + diffuser assembly)

DIMENSIONAL DRAWING



DIMENSIONAL DATA (mm)

Type	A	A1	A2	D	D1	D2	H	H1	P	Weight (Kg)*
80JA-5.05	648(679)	100	198(229)	163	76	87	410(458)	72(120)	25A	23 (33)
80JA-5.10	648(679)	100	198(229)	163	76	87	430(478)	72(120)	25A	31 (41)
80JA-5.20	721(752)	110	250(281)	205	100	105	540(588)	72(120)	40A	40 (50)
80JA-5.30	721(752)	110	250(281)	205	100	105	580(628)	72(120)	40A	42 (52)
80JA-5.50	742(773)	125	258(289)	230	110	120	620(640)	100(120)	40A	52 (64)
80JA-5.75	742(773)	125	258(289)	230	110	120	660(680)	140(160)	40A	58 (70)

SUGGESTED INSTALLATION PATTERN



• Rectangular Tank

• Circular Tank

