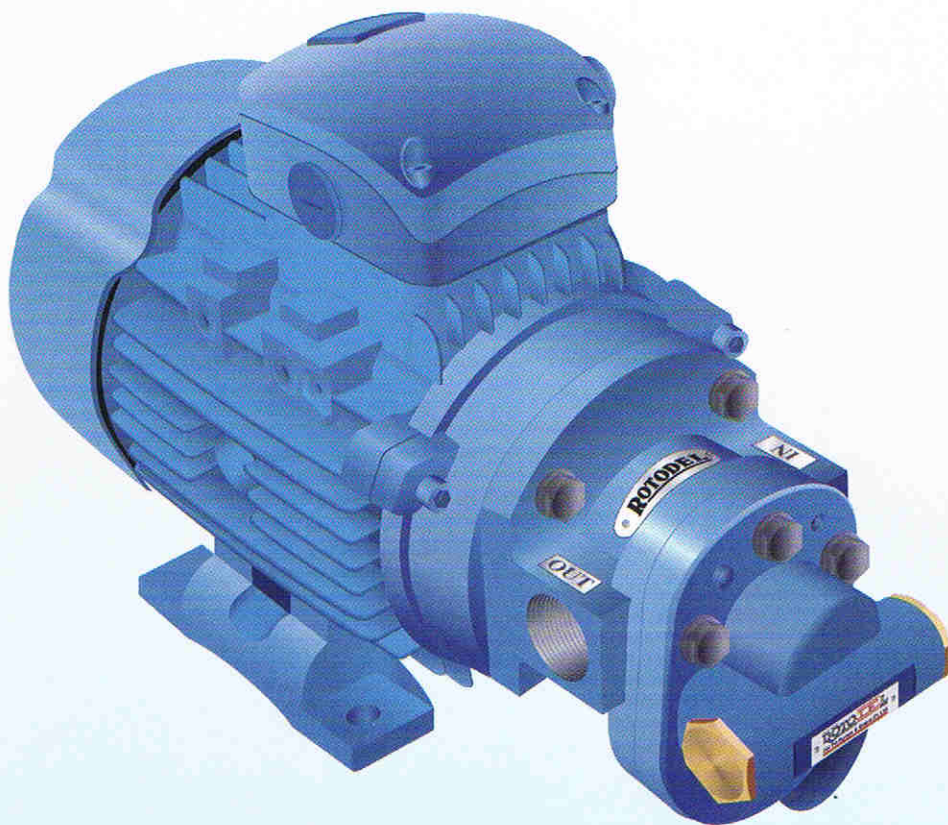




**Rotary gear pump in compact configuration  
to handle viscous & semi viscous liquid**

type

**HGCX**



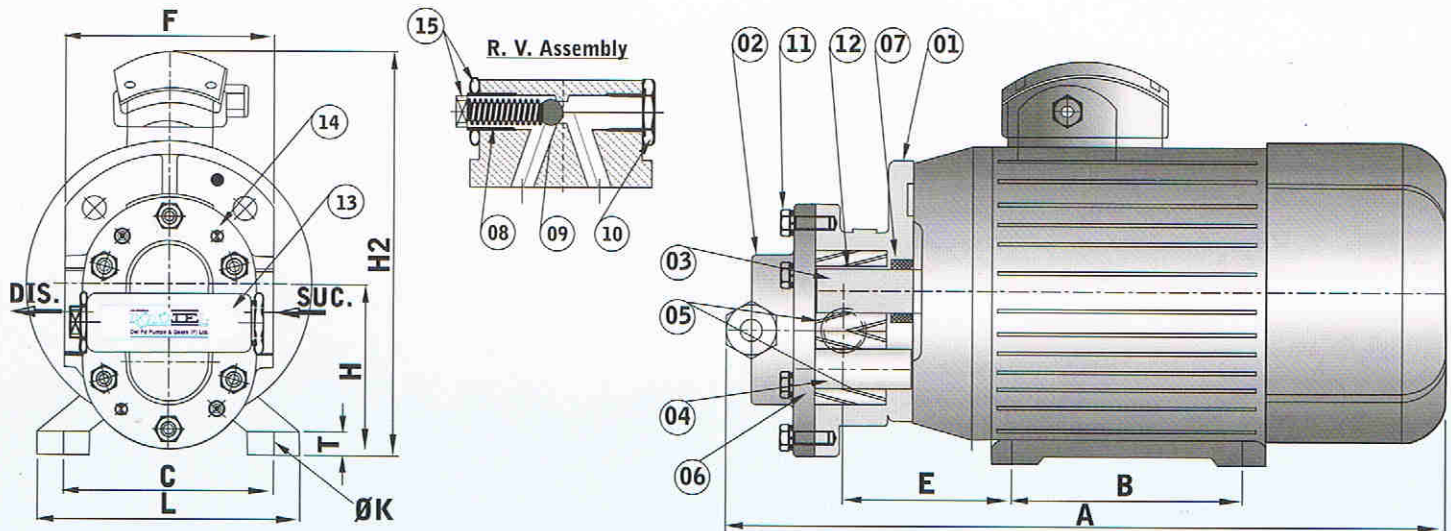
**‘A monoblock marvel’**

**COMPACT ■ LOW NOISE ■ EFFICIENT ■ ELEGANT**

Available in 3 Size with Capacity up to 60 LPM & Operating  
Pressure 7 kg/cm<sup>2</sup>, Temperature 90° C Viscosity up to 1000 SSU

"ROTODEL" Rotary Gear Pump Type "HGCX" is a Monoblock integrated Shaft External Gear Pump Assembled Directly on motor shaft thereby making it the most compact and elegant pump. The proven and popular "ROTODEL" designed is employed in this pump, the casing of the pump is directly mounted on the flange of the electric motor and is sealed by an oil seal, rotor gear is fitted on the motor shaft where as stator shaft is tight fitted on the stator gear & it rotates freely on it, the back cover supports this shaft from buckling, it also provides a built in pressure relief valve which is of reversible design to facilitate running of the pump in either direction. the pump is provided with inlet outlet BSP ports with horizontal orientations.

Sr. No.	Description	Material	Qty.	Sr. No.	Description	Material	Qty.	Sr. No.	Description	Material	Qty.
1	CASING	C. I. GR. - 20	1	6	BUSH	SINTERED	2	11	HEX BOLT	H/T	6
2	R. V. COVER	C. I. GR. - 20	1	7	OIL SEAL	NITRILE	1	12	KEY	M. S.	1
3	ROTOR SHAFT	EN - 9	1	8	R. V. SPRING	S.S. 302	1	13	LABLE	ALU	1
4	STATOR SHAFT	EN - 9	1	9	STEEL BALL	EN - 8	1	14	DOWEL PIN	M.S.	2
5	R.H. & L.H. GEAR	EN - 8	1 + 1	10	PLUG	BRASS	1	15	AD.SCREW/LOCK NUT	BRASS	1 + 1



Sr. No.	MODEL	SIZE PQ. B.S.P.	CAP LPM	MOTOR H.P. / RPM	Fr. Size	A	B	C	E	F	H	H2	L	T	ØK
1	HGCX - 050	½" x ½"	16.0	0.5 / 1440	71	290	90	112	61	90	71	187	138	08	Ø7
2	HGCX - 075	¾" x ¾"	35.0	1.0 / 1440	80	335	100	125	72	100	80	211	157	09	Ø10
3	HGCX - 100	1" x 1"	60.0	1.5 / 1440	90S	370	100	140	82	120	90	235	173	12	Ø10

Application & Uses : 'ROTODEL' Rotary gear pump type 'HGCX' is ideally suited for lube oil feeding and priming application for IC engines they are used for loading unloading of fuel oil, lube oils. Because of it's compact size they are used a portable pump.